



FDU100VSAWVH

10.0 (4.0 ~ 11.2)

Indoor Unit : FDU100VH

Outdoor Unit : FDC100VSA-W

Specifications

R32

Indoor unit			FDU100VH	
Outdoor unit			FDC100VSA-W	
Power source			3 Phase 380-415V, 50Hz / 380V, 60Hz	
Nominal cooling capacity (Min~Max)		kW	10.0 (4.0 ~ 11.2)	
Nominal heating capacity (Min~Max)		kW	11.2 (4.0 ~ 12.5)	
Power consumption		Cooling/Heating	kW	
			2.99 / 2.66	
EER/COP		Cooling/Heating		
			3.35 / 4.21	
Inrush current			A	5
Max. running current			A	17
Sound power level* ¹	Indoor * ³	Cooling/Heating	65 / 65	
	Outdoor	Cooling/Heating	69 / 70	
Sound pressure level* ¹	Indoor * ³	Cooling (Hi/Me/Lo/Ulo)	dB(A)	44 / 38 / 36 / 30
		Heating (Hi/Me/Lo/Ulo)		44 / 38 / 36 / 30
	Outdoor	Cooling/Heating		54 / 55
Air flow	Indoor * ³	Cooling (Hi/Me/Lo/Ulo)	m ³ /min	36 / 28 / 25 / 19
		Heating (Hi/Me/Lo/Ulo)		36 / 28 / 25 / 19
	Outdoor	Cooling/Heating		75 / 73
Available external static pressure			Pa	Standard:60 Max:200
Exterior Dimensions	Indoor	Height x Width x Depth	mm	280 x 1,370 x 740
	Outdoor			845 x 970 x 370
Net weight	Indoor / Outdoor		kg	54 / 78
Refrigerant		Type/GWP	R32/675	
Refrigerant		Charge	kg/TCO2Eq	3.3/2.228
Refrigerant piping size		Liquid/Gas	ø mm	9.52(3/8") / 15.88(5/8")
Refrigerant line (one way) length			m	Max.50
Vertical height differences		Outdoor is higher/lower	m	Max.50 / Max.15
Outdoor operating temperature range	Cooling* ²		°C	-15~50
	Heating			-20~20
Air filter quantity			Procure locally	
Remote control (option)			wired:RC-EX3A, RC-E5, RCH-E3 wireless:RCN-KIT4-E2	
Energy Class (Cooling/Heating)			A+ / A+	
SEER			6.11	
SCOP (Average climate)			4.19	
Pdesign (cooling/heating(@-10°C))			kW	10.0/8.5
Annual Electricity Consumption (cooling/heating)			kWh/a	574/2843
Designated Heating Season			Average	

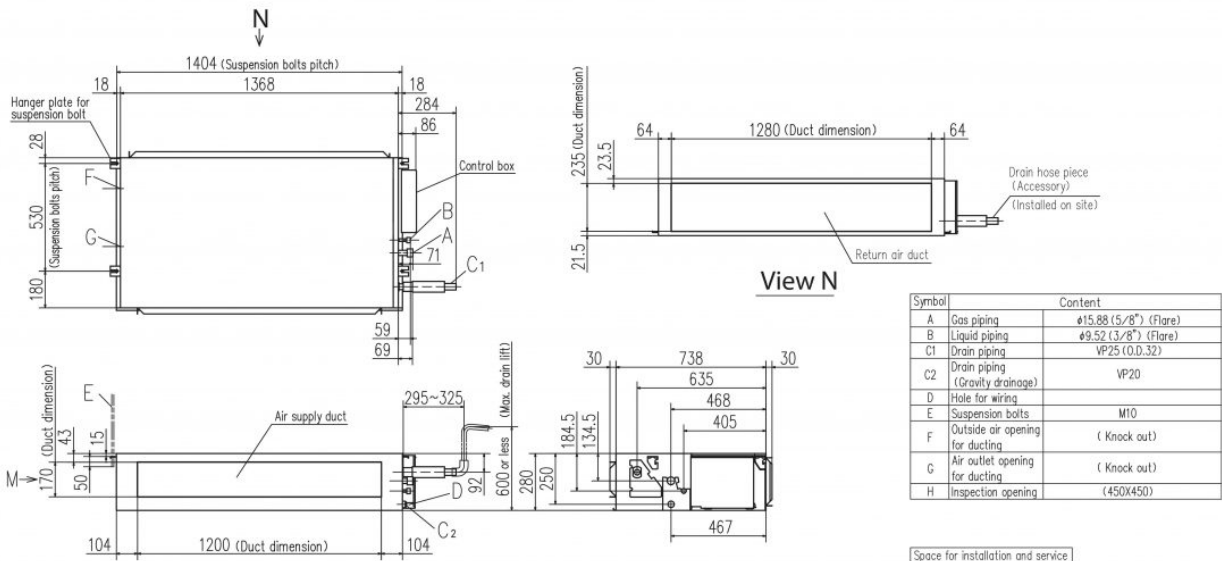
The data is measured under the following conditions (R32 : ISO-T1, -H1 /, R410A : ISO-T1).

Cooling: Indoor temp. of 27°CDB, 19°CWB, and outdoor temp. of 35°CDB. Heating: Indoor temp. of 20°CDB, and outdoor temp. of 7°CDB, 6°CWB.

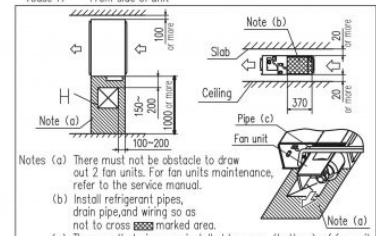
- : Indicates the value in an anechoic chamber. During operation these values are somewhat higher due to ambient conditions.
- : External static pressure is changeable to be set by the remote control. MAX external static pressure is "High static pressure" setting. The values of sound pressure level become 5dB(A) higher at external static pressure of 200Pa
- : If a cooling operation is conducted when the outdoor air temperature is -5°C or lower, the outdoor unit should be installed at a place where it is not influenced by natural wind. If wind blows, the low pressure will drop and compressor frequency will increase, this will cause the capacity to drop and may cause the unit to break down.

Schematics

MODEL FDU100VH, 125VH, 140VH



Space for installation and service
 Select either of two cases to keep space for installation and services.
 (Case 1) From side of unit



FDC100VNA, 125VNA, 140VNA, 100VSA, 125VSA, 140VSA

